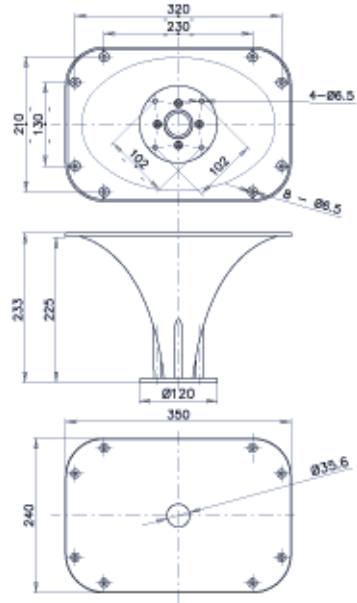




LTH142 HF Horns



NOMINAL SPECIFICATIONS

| | |
|--|--------------------------------------|
| Frequency Range | 0.5÷18 kHz |
| Throat Diameter | 35.6 mm (1.4 in) |
| Reccomended Crossover Frequency (1) | 0.8 kHz |
| Horizontal Nominal Coverage (-6dB) (2) | 60° |
| Vertical Nominal Coverage (-6dB) (2) | 50° |
| Directivity Index (4) | 9.5 dB |
| Mouth Height | 240 mm (9.5 in) |
| Mouth Width | 350 mm (13.8 in) |
| Depth | 233 mm (9.2 in) |
| Mouth Mounting Holes (4x) | 6.5 mm (0.26 in) |
| Net Weight | 890 Kg (1.96 lb) |
| Shipping Weight | 1.44 Kg (3.17 lb) |
| Shipping Box | 380x255x245 mm (15.0x10.0x9.6 in) |
| Material | PC/ABS |

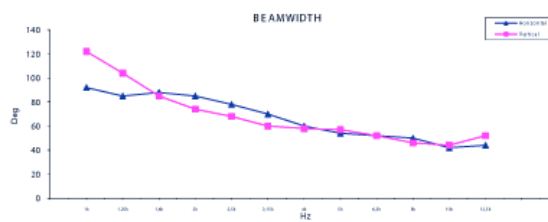
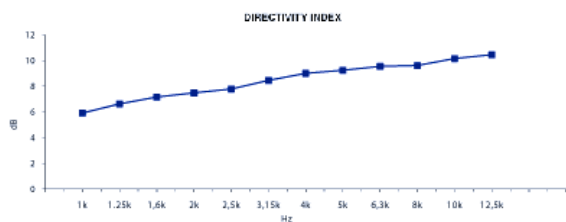
ORDERING CODES

Ordering Code TBA

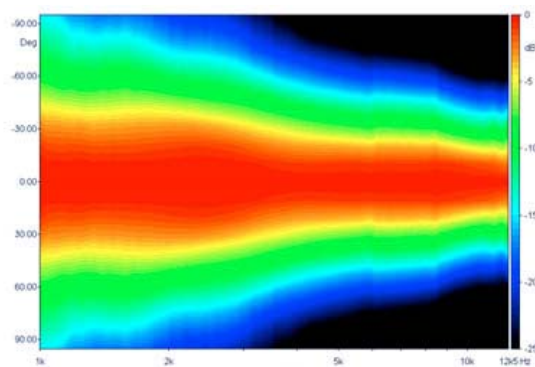
NOTES

- (1) 4 π sr acoustic loading
- (2) Average value in frequency range: 1÷12.5 KHz
- (4) Average values on horizontal and vertical planes

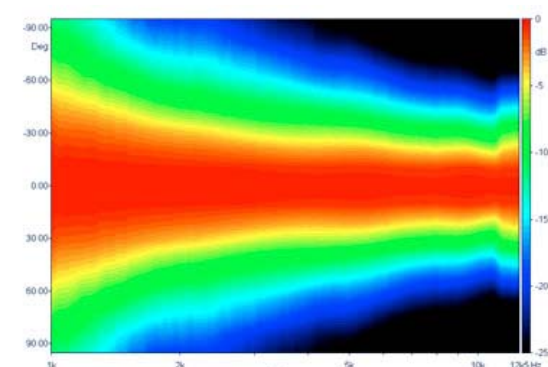
CURVES



BEAMWIDTH

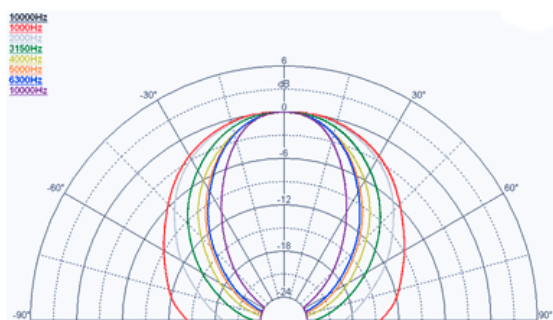


Horizontal Beamwidth

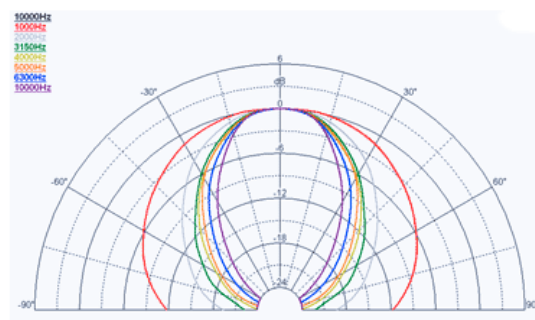


Vertical Beamwidth

POLAR PATTERN



Horizontal Polar Pattern



Vertical Polar Pattern